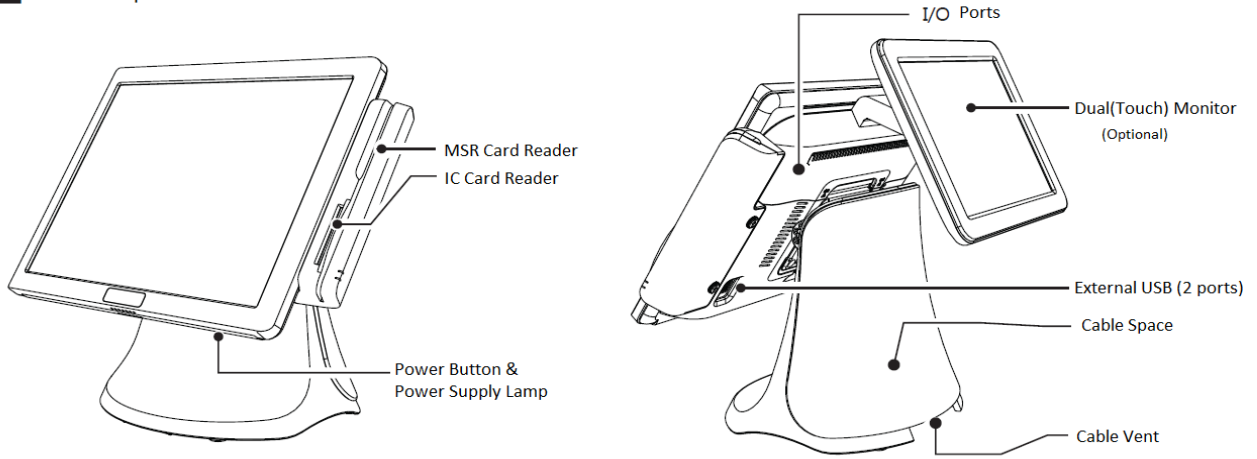
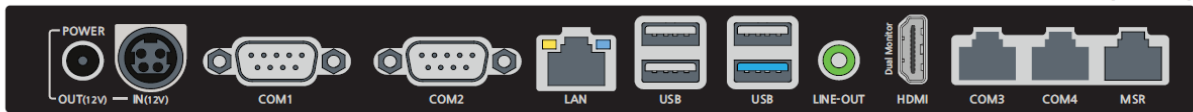


# USER GUIDE

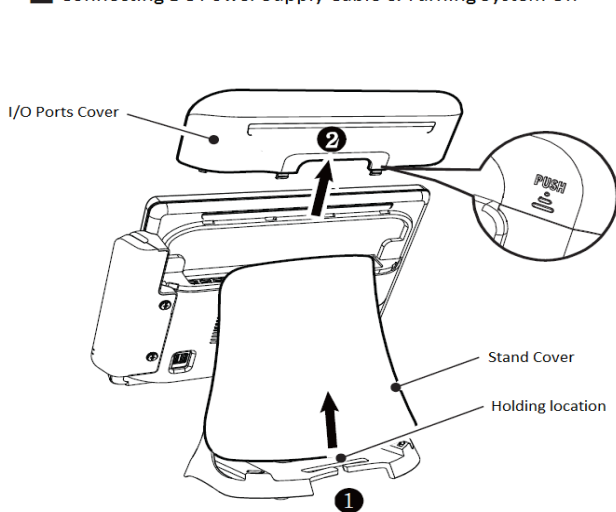
## Parts Description



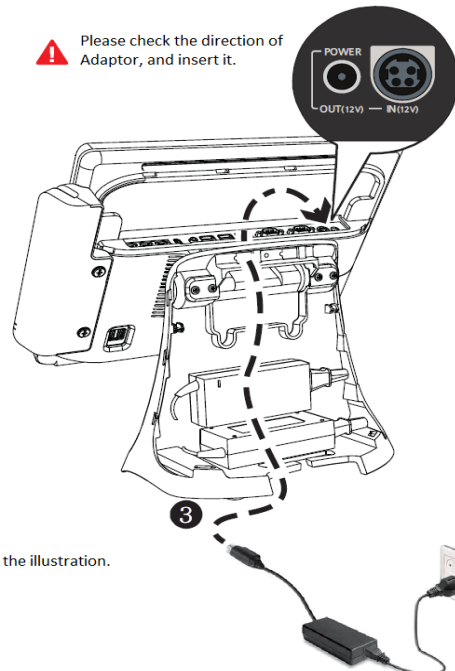
[Standard]



## Connecting DC Power Supply Cable & Turning System On



**!** Please check the direction of Adaptor, and insert it.



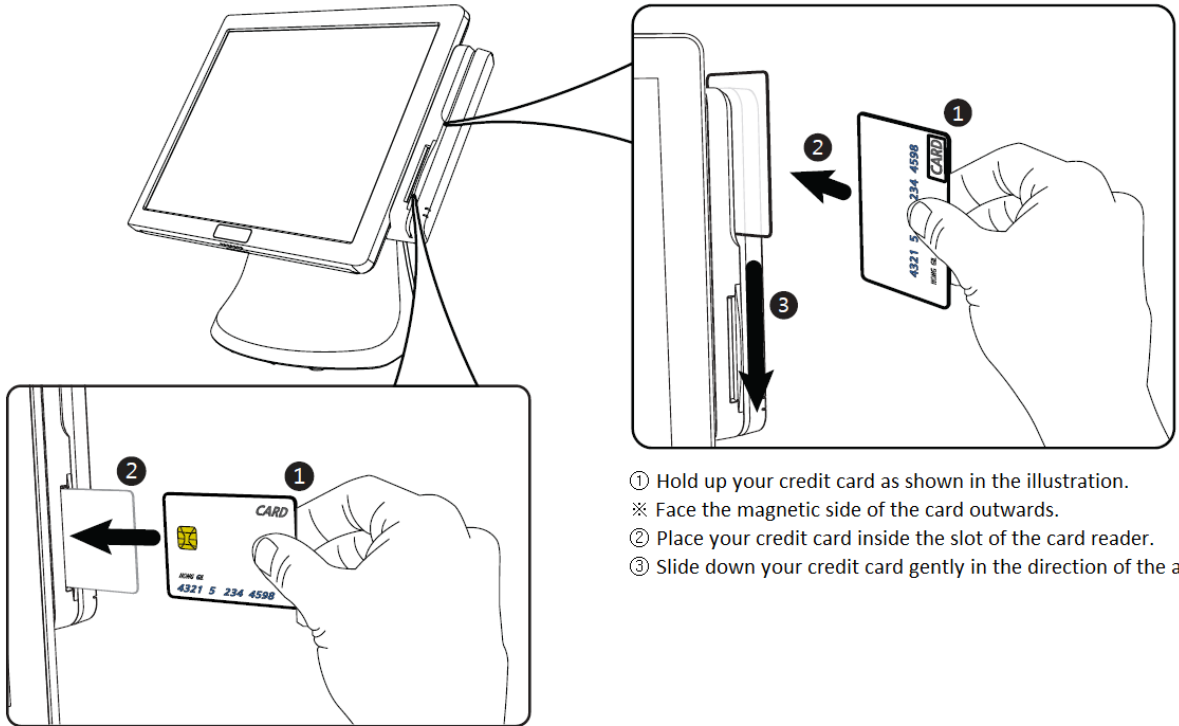
- ① Detach the Stand Cover by pushing at hand-holding location as shown in the illustration.
- ② Detach the I/O Ports Cover
- ③ Connect the Power Adaptor
- ④ Press the Power Button to turn on the system

## ■ Proper Way to Use Card Reader



Learn the proper way to use the card reader before using the product.

If a card is inappropriately recognized, the red light will blink with a sound indicating error.



- ① Hold up your credit card as shown in the illustration.  
※ Face the magnetic side of the card outwards.
- ② Place your credit card inside the slot of the card reader.
- ③ Slide down your credit card gently in the direction of the arrow.

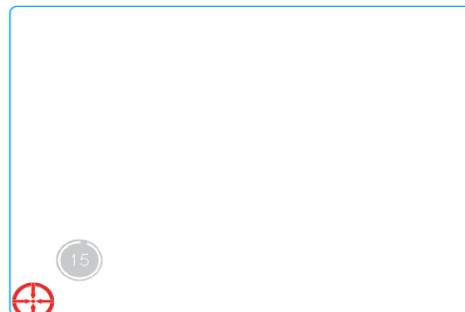
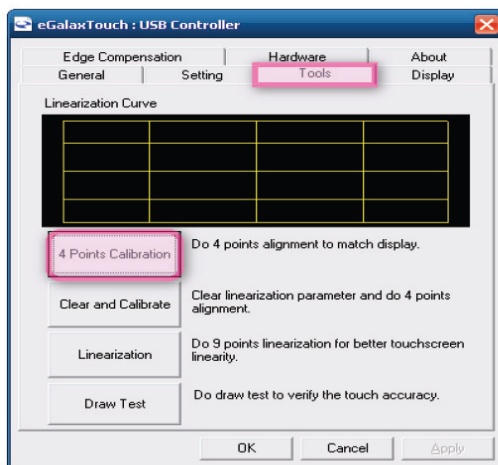
## ■ Touch Screen Calibration



When using the touch screen for the first time or if the pointer does not precisely match your touch, calibrate the touch screen using the 'eGalaxTouch' tool. Depending on the operating system, the calibration process may vary and may not be available in some operating systems.



Do not apply severe impact to the touch screen. Avoid sharp objects such as ball-point pen when pressing the screen. This may damage your touch screen.

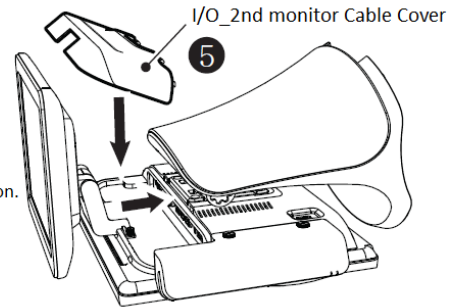
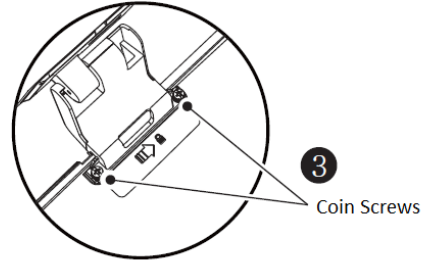
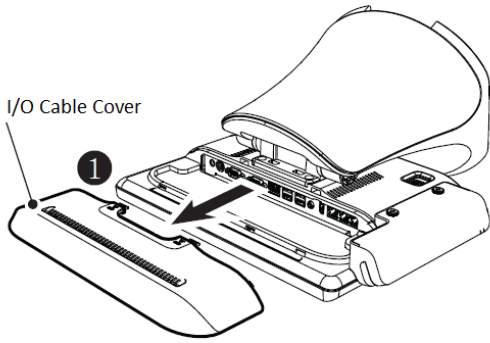


- ① Click Start→All Programs→eGalaxTouch→Configure Utility
- ② Click the 'Tools' tab, then '4 Points Calibration'
- ③ The touch screen input points are calibrated.

## 9.7" Dual(Touch)Monitor Installation



Firstly, terminate POS system and separate main Power adaptor cable from POS system, after that, pls proceed this installation safely.



- ① Separate the Cover Cable
- ② Place and fit the Dual monitor to the two holes of top side of back frame as shown in illustration.
- ③ Fasten 2 hand screws
- ④ Connect the HDMI cable and PWR cable of Dual monitor, Touch cable respectively.
- ⑤ Connecting DC power supply cable, reassemble I/O cover cable.

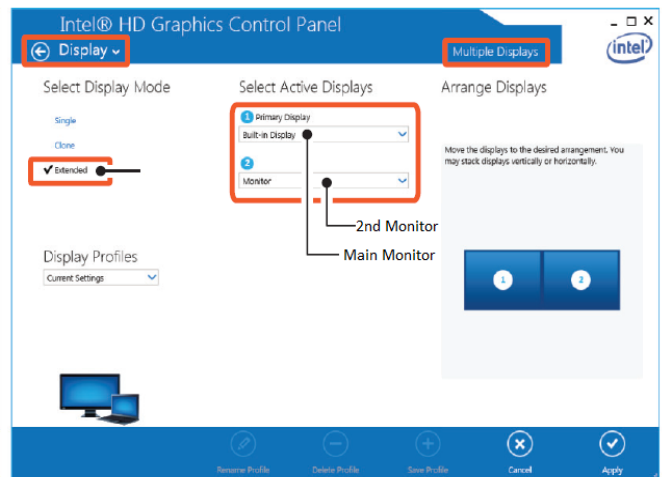
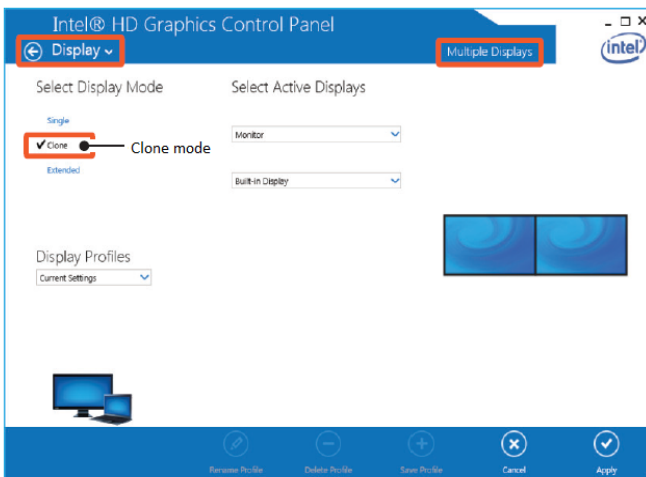
## Dual(Touch)Monitor Setting



The setting method may vary regarding to OS and version of graphic drivers. Please refer to relevant website for the latest driver and detailed setting method.

### [ POSReady 7, Windows 7 ]

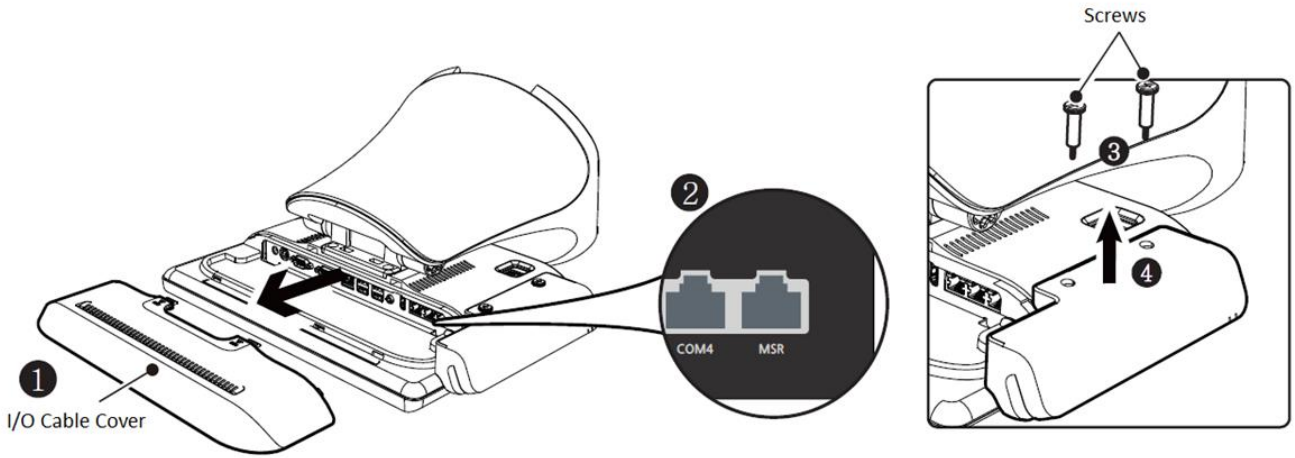
- ① Turn the power on and boot up with OS.
- ② In the desktop, click right button, graphics properties → display → dual display choose a setting
- ③ Pls click and set your preferred one at the menu bar <<Display → Multiple Displays>>



## ■ Card Reader (MSR, SCR) Separation



When reassembling the card reader, you must assemble tightly otherwise the card will not be recognized by the reader.

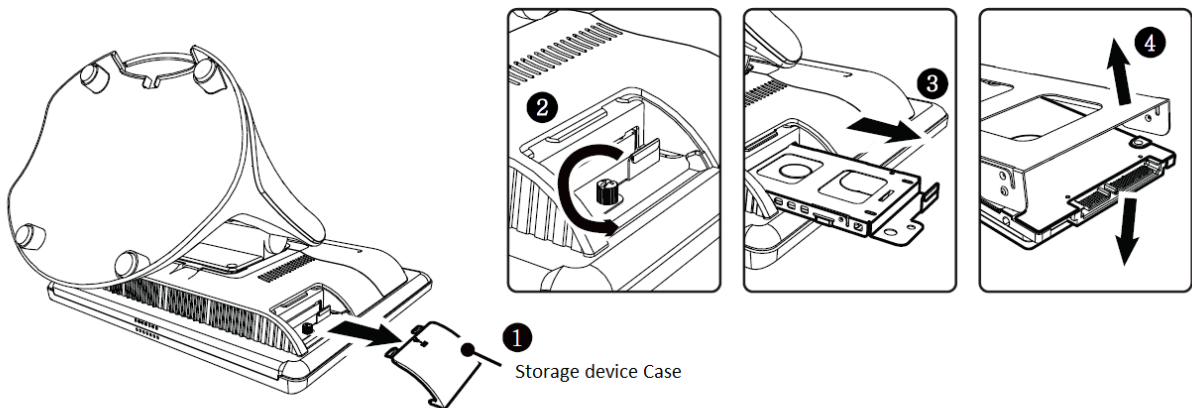


- ① Detach the I/O Ports Cover by pushing it upwards.
- ② Disconnect MSR connector.
- ③ Remove both screws.
- ④ Separate the MSR by pushing it in the direction of the arrow.

## ■ Hard Disk Drive(SSD,HDD) Replacement



Care must be taken when removing the HDD and bracket to avoid injury.  
Save all your data before clicking on Shut down. Disconnect the Adaptor cable from the system.  
Before separation and detaching storage device, critical data to user should be surely backed up to external device.

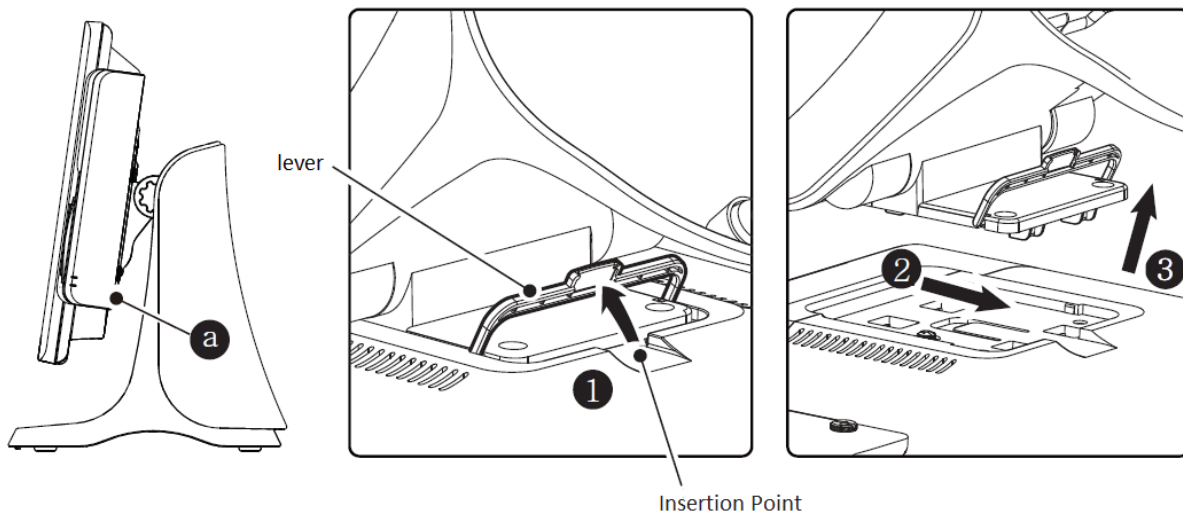


- ① Detach the storage device case
- ② Rotate the hand screw to the arrow mark direction.
- ③ Pull the HDD tray out from the system
- ④ Separate the HDD from the bracket
- ⑤ Replace the new HDD into the Bracket HDD and assemble in reverse order.

## STAND Separation



The stand is aluminum material, so please be careful ! When reassembling, for your safety, you must put the lever in the correct insertion point.



- ① Lift the lever(Ⓐ).
- ② Pull the stand in the direction of the arrow indicated.
- ③ Lift up and remove the stand.

## Rear Cover separation

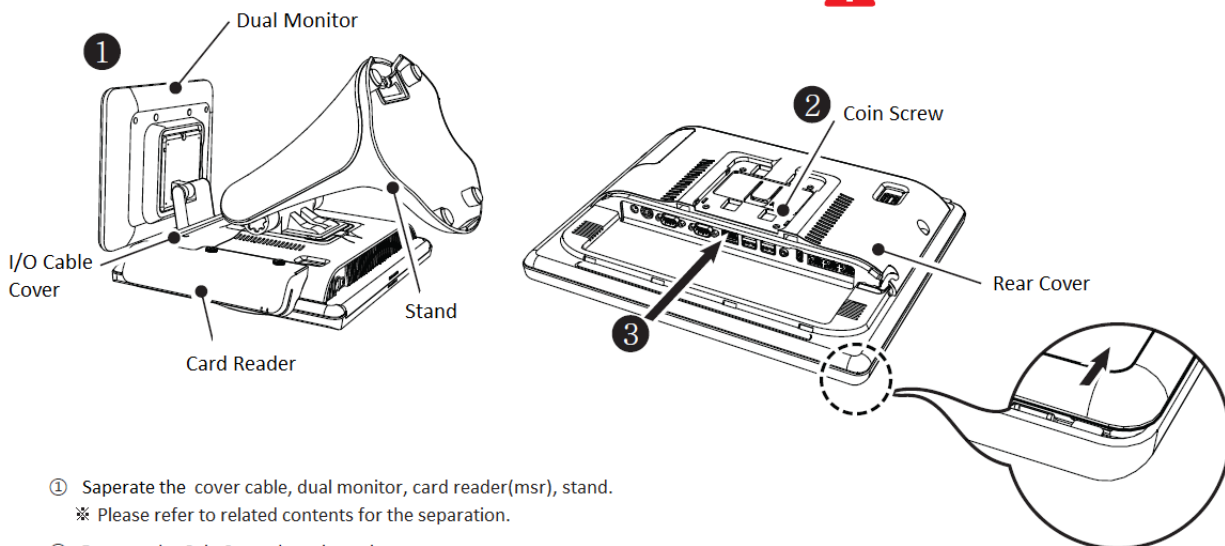


Before you lay down the product, please remove anything that could damage the product and touch panel, and then spread a clean fabric or cloth before you start the operation.

The disassembling and assembling process require professionalism. If you attempt to disassemble without any expertise, it may cause product trouble so please be careful.



When reassembling, please be careful not to miss Coin Screw.



- ① Separate the cover cable, dual monitor, card reader(msr), stand.  
※ Please refer to related contents for the separation.
- ② Remove the Coin Screw by using coin.
- ③ Separate the rear cover by pushing it upto 7mm to the direction of the arrow.