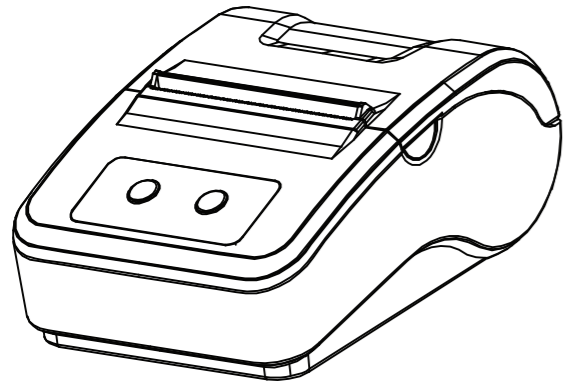
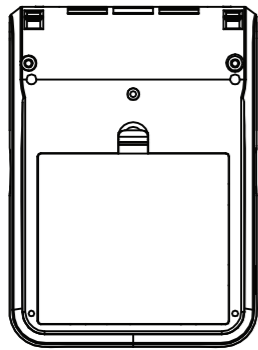


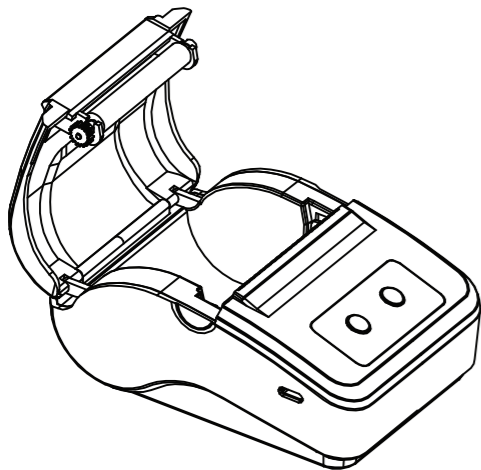
INSTALLATION GUIDE



BACK

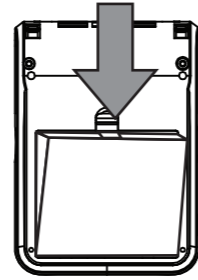


OPEN COVER

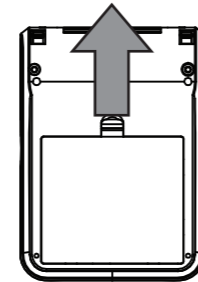


BATTERY INSTALLATION

1. Make sure the power is off when removing or inserting the battery.
2. Follow the direction of arrow in the below image, insert the battery into the battery slot on the back of the printer.

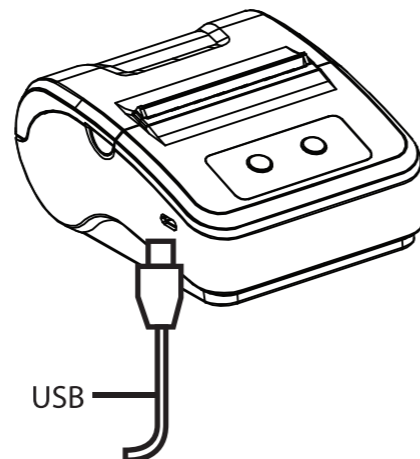


3. When removing the battery, using the opposite step of installing the battery.



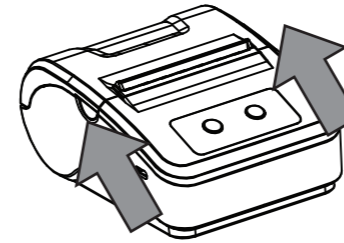
BATTERY CHARGING

1. Please connect USB to charge the printer.
2. When printer low of battery, the battery icon on scanner screen will twinkling.
3. If you continue printing, the printer will automatically shut down. Please charge the printer in time to continue printing.

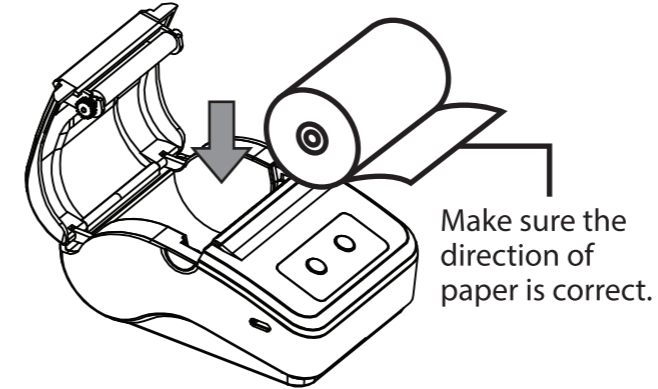


PAPER ROLLS INSTALLATION

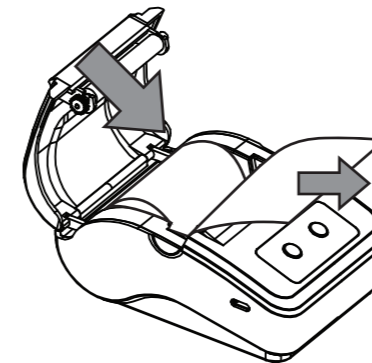
1. Pull up the cover to open cover.



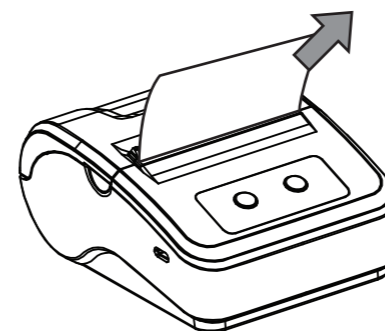
2. Follow the image below, installing the paper rolls.



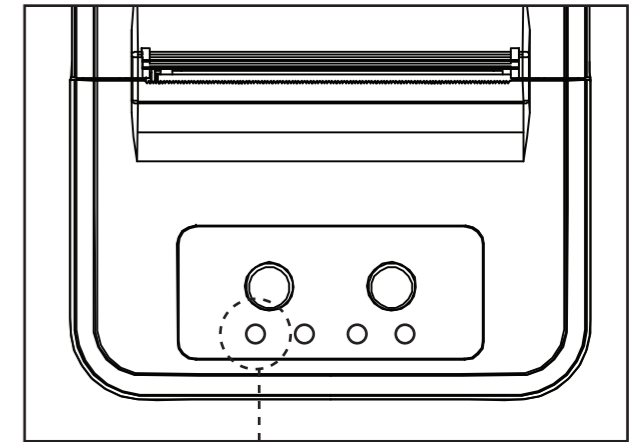
3. Pull out some paper rolls, close the cover.



4. Using the serrated knife on the printer to remove the remainder paper.



BATTERY NOTIFICATION

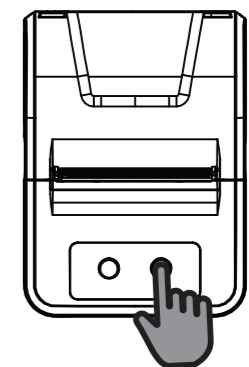


Battery notification light

1. Red light - battery low
2. Red light and green light flashing - charging
3. Green light - battery charging full

HOW TO TEST PRINT

1. Turn off the printer.
2. Keep pressing the 'feed button', and don't remove pressing.



Don't remove pressing

3. Click the 'on button', but don't remove pressing on 'feed button'.
4. When the printer is on, remove your hand on 'feed button', the printer start test print.