

## Introduction

This is the Quick Start Guide for your 2D Image Scan Module.

For detailed programming instructions and safety notices please refer to the complete Programming Guide.

## Installation

The scanner has reserved mounting holes for permanent fixture to a surface or integration into your specifically-designed equipment.

Use mounting holes on the bottom of the scanner to mount the scanner onto the desired position. Scan performance will not be affected by the mounting direction of the scanner.

The scanner should be installed in a location away from direct sunlight; high levels of ambient light reduce scanner effectiveness. The air temperature around the scanner must not exceed 40°C (104°F).

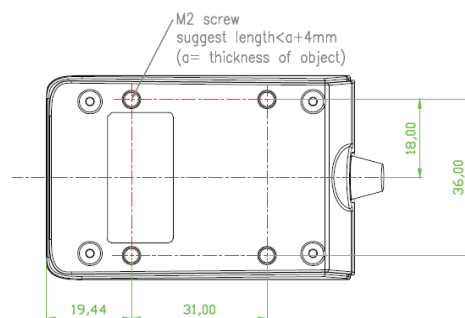
## Window Instructions

It is **not** recommended to place an additional exit window in front of this scanner. The addition of the exit window can reduce the working range of the scanner due to signal loss. However, when such a window is required for application, please contact your local agency or manufacturers.

## Mounting

To correctly mount the scanner onto the host device, follow the steps below:

1. Locate the device in a dry position to avoid direct sunlight, bright or laser light from other source.
2. Before mounting, ensure sufficient clearance at the rear of the scanner to allow for the connector and cable
3. The scanner is designed to embed into any space limited devices, and it has 4 screwed mounting holes reserved at the bottom.
4. Secure scanner with four M2 screws.



- Do not allow the mounting screws to penetrate too deep into the module or damage may result.
- To prevent twisting or distorting the scanner housing, ensure that the mounting surface or bracket is flat.

## Connecting to Host

The power link interface cable comes with different host-end connectors, depending on the host. Follow the steps below to connect the interface cable to the host.

1. Make sure that the power of the host system is off.
2. Plug the host end of the interface cable to the appropriate connector on the host system.
3. For those cases where external power is used, plug the external AC power adapter into the jack on the interface cable.
4. Turn on the host system.



*The scanner will light up for 3 seconds after turned on in case it is accidentally set to be in the trigger mode and needs re-set.*

There are 3 standard types of interface connection that this device supports:

1. RS-232 interface
2. USB interface (supporting HID USB and virtual COM USB)

The interface cable is not field-replaceable and unauthorized change to hardware may void warranty.

# Quick Guide

## Compact 2D Image Scan Module

## Default Factory Setting

Parameter	Default
Trigger Mode	Presentation
Serial Host Type	SSI Host
USB Device Type	HID Keyboard Emulation
USB Country Keyboard Type	North American

### \* Presentation Mode

When the device detects an object in its field of view it triggers and attempts to decode.

## Using Serial Interface

### Serial Host

The default setting is SSI Host. If you use Serial Host, scan the **Enable Serial Host (No Variant)** barcode at right before use.

**Note** If you use Serial Host, your RS232 software, such as Windows HyperTerminal, can receive data from the scanner.



Enable Serial Host (No Variant)

## SSI Host

The default setting is SSI Host. If you use SSI host, your host device can transmit data to software like Windows Notepad or Word. Follow the steps below to start using.

1. Connect the scanner serial cable to the host computer and connect a +5V power adapter to the DC jack on the cable. The scanner would give a "Do Re Mi" melody when powered on.
2. Read the **SSI Host** barcode at right to set up interface. (Skip this step if you are using the default setting.)
3. Execute KeySimulator.exe in the Manual CD after the computer detects the scanner.
4. Choose a COM port number and click "Send Return" (Figure 1).

Click "Start" to complete the setup procedure (Figure 1).



SSI Host

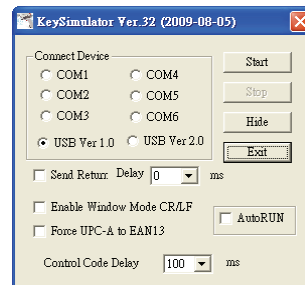


Figure 1

## Using USB Interface

### HID Keyboard Emulation

The default setting is HID keyboard emulation. If you have ever changed the interface setting, you need to scan the **HID Keyboard Emulation** barcode at right before you can use HID keyboard emulation again.

**Note** Scanner driver for HID keyboard is built-in for Microsoft Windows version after 2000. But if you use Windows 98, you may need to download driver from Microsoft website.



HID Keyboard Emulation

### USB Virtual COM

If you use virtual COM port emulation, follow the steps below to start using the scanner.

1. Execute the driver (installMOTCDC.exe).
2. Connect the scanner USB cable to the host computer. The scanner would give a "Do Re Mi" melody when powered on. .
3. Read the **CDC COM Port Emulation** barcode at right to set up interface.

4. On the computer, check Device Manager to see if the computer successfully detects the scanner as "Symbol Bar Code Scanner." (The COM port number would vary depending on different hardware environment.) (Figure 2).



CDC COM Port Emulation

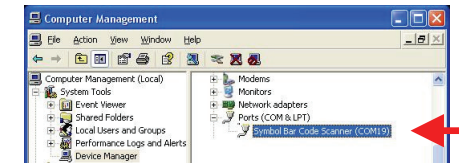


Figure 2

**Note** If you can't directly install the driver, follow the Found New Hardware Wizard to locate and install the driver.